

Designs shown herein remain the property of this office for which a Copyright exists. No reproductions or copies are to be made without the Authority of Carls Australia. Should the above conditions be breached a Fee of 3% of the contract value shall be made payable to Carls Australia.

CARTS Australia

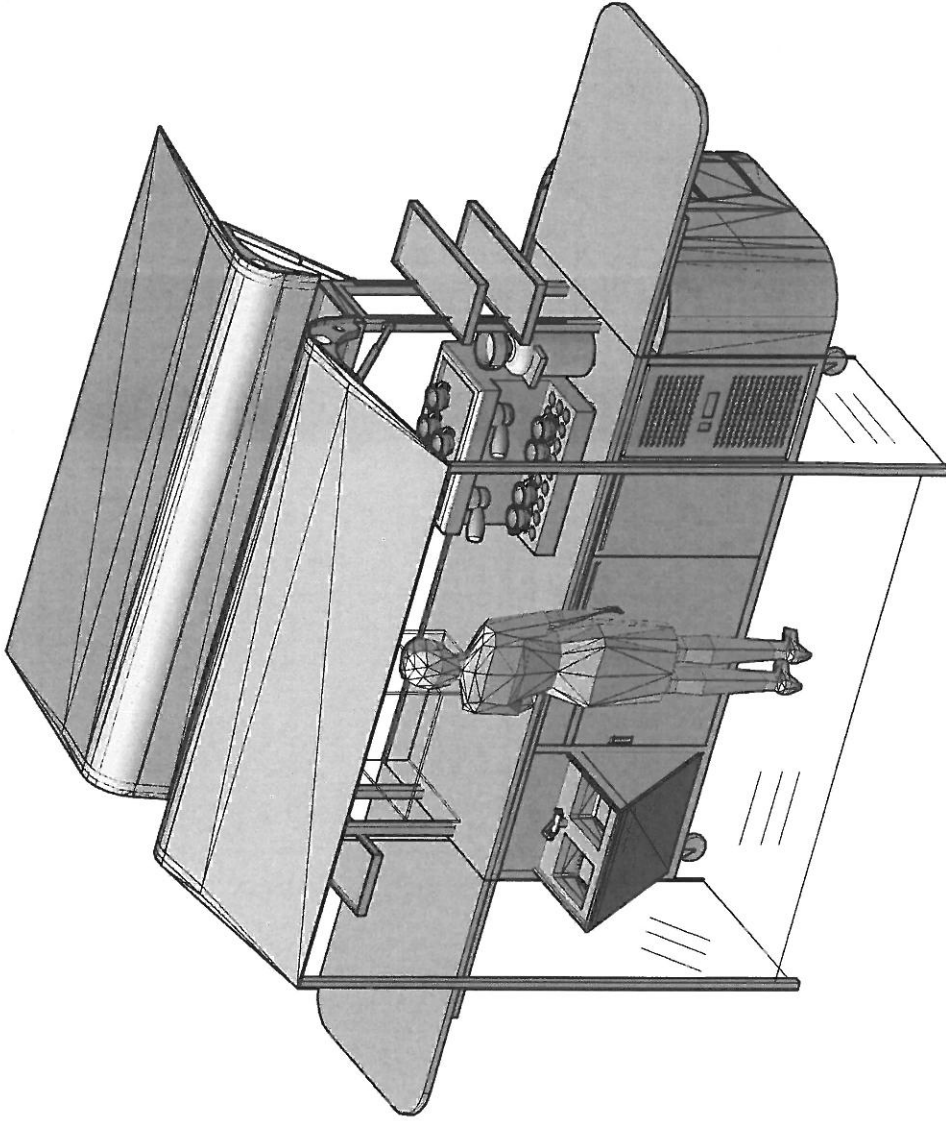


LARGE CART KIOSK-CURT 2

72000

LARGE CART-CURT-2

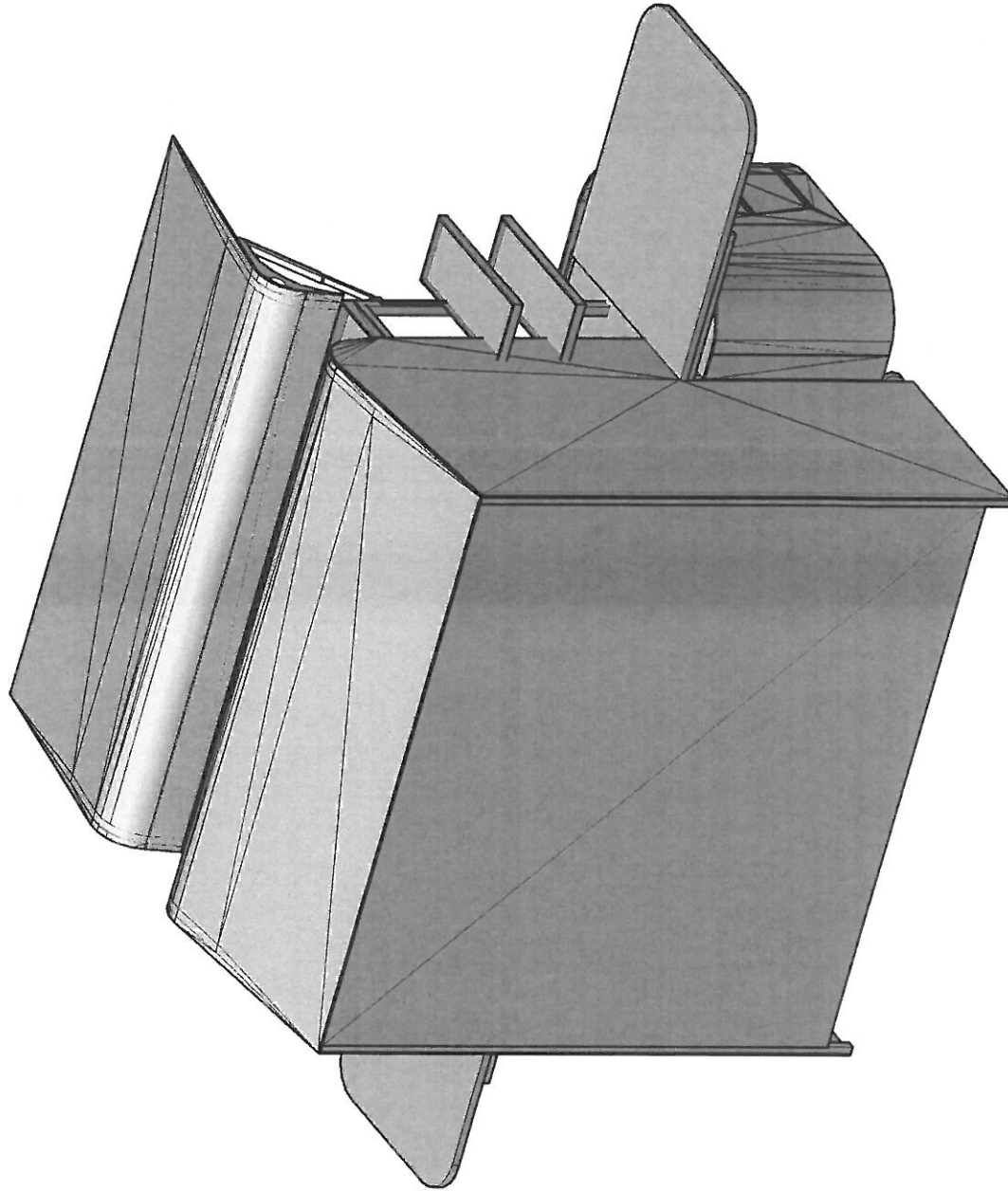
0



Designs shown herein remain the property of this office for which a Copyright exists. No reproductions or copies are to be made without the Authority of Carts Australia. Should the above conditions be breached a fee of 3% of the contract value shall be made payable to Carts Australia.



LARGE CART KIOSK-CURT 1



Designs shown herein remain the property of this office for which a Copyright exists. No reproductions or copies are to be made without the Authority of Carts Australia. Should the above conditions be breached a Fee of 5% of the contract value shall be made payable to Carts Australia.

CARTS
Australia

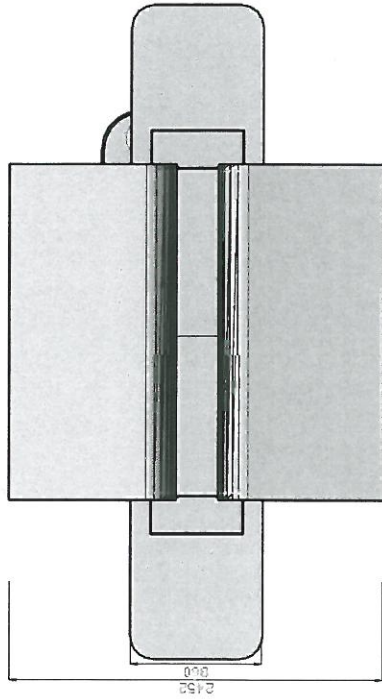


Project: X-LINE COFFEE

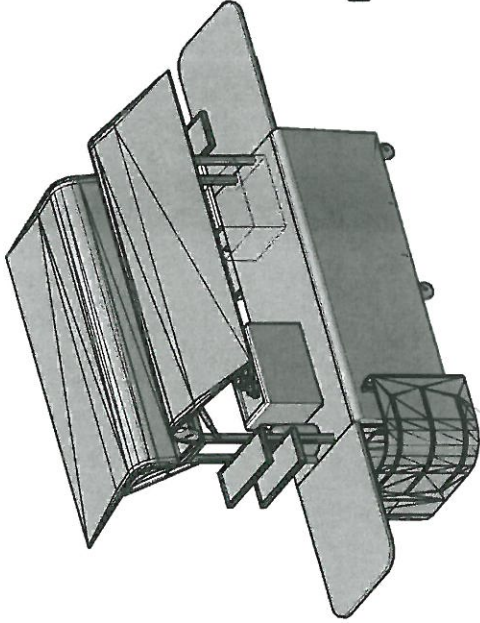
Title: REAR COVER

Drawn by:	Date:	Scale:	Dep. No.:	Issue:
MJ	27/9/13	LARGE CART-KIOSK-CUT 1/4		0

PLAN VIEW

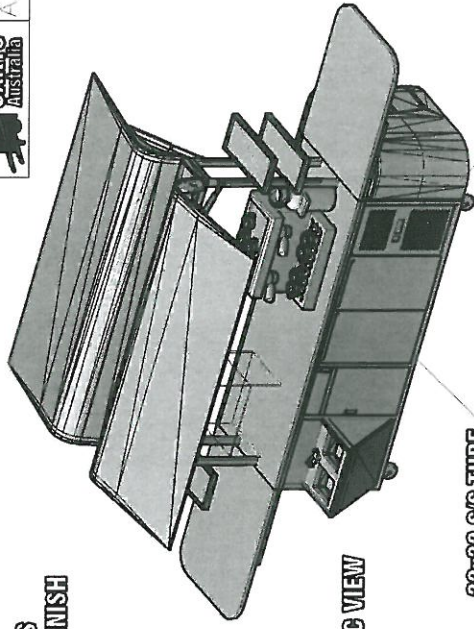


304 S/S
NO.4 FINISH
S/S



**OPTIONAL
GARBAGE BIN COVER**

ISOMETRIC VIEW

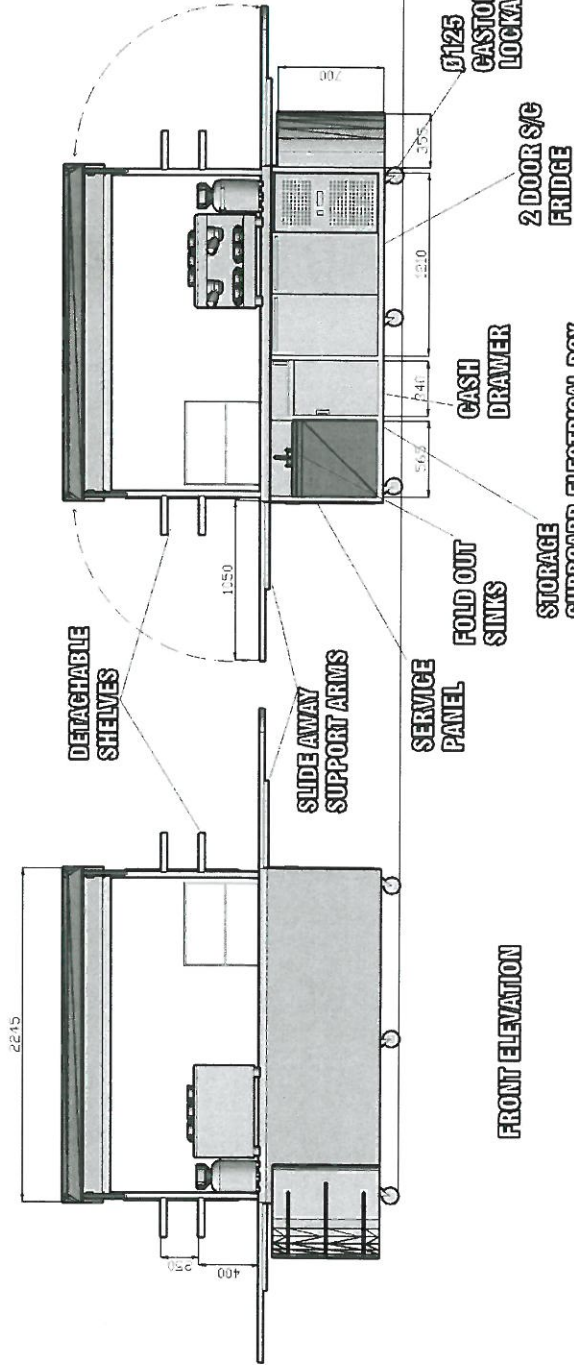


**32x32 S/S TUBE
FRAME-CLAD IN S/S**

**OPTIONAL LOCKERABLE
SHELVES**

**TOP GUTTER DRAINAGE
RUNS DOWN S/S UPRIGHT TO
UNDER CART**

GAS LIFTING STRUTS



FRONT ELEVATION

**DETACHABLE
SHELVES**

**SLIDE AWAY
SUPPORT ARMS**

**SERVICE
PANEL**

**FOLD OUT
SINKS**

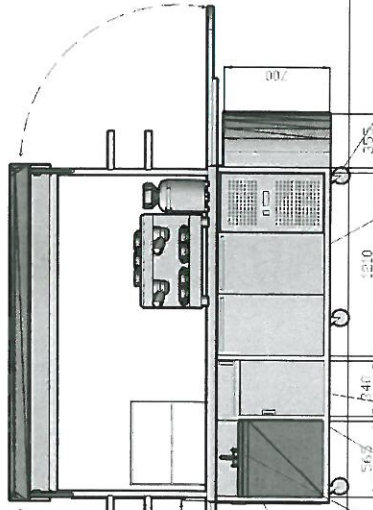
**STORAGE
CUPBOARD-ELECTRICAL BOX**

REAR ELEVATION

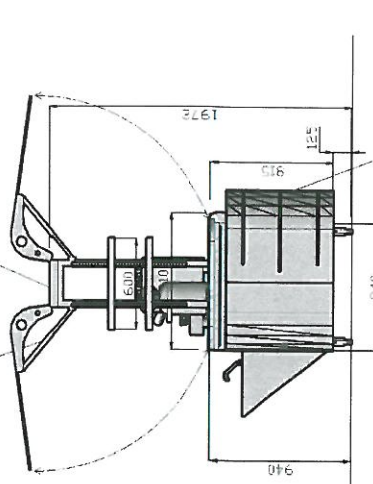
**CASH
DRAWER**

**2 DOOR S/G
FRIDGE**

**Ø125
CASTORS
LOCKABLE**



END ELEVATION



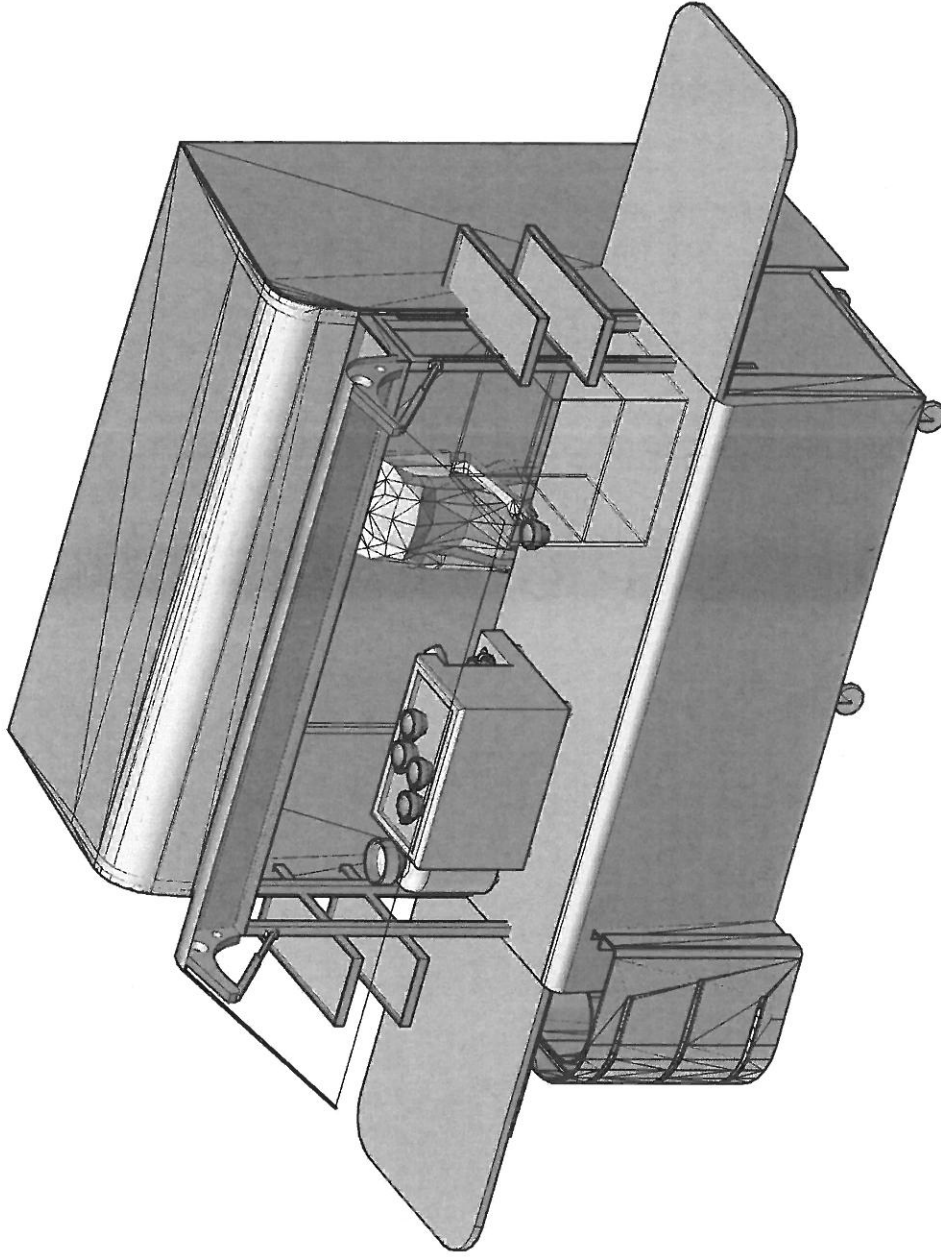
**CURVED FRONT
PANEL**

The property of this office
No reproduction or copies
are to be made without the
Authority of Garts Australia
Should the above conditions be
breached a fine of 5% of the contract
value shall be made payable to
Garts Australia

GARTS
Australia



X-LINE COFFEE/COOKIE CART



Designs shown herein remain the property of the artist for which a Copyright exists. No reproductions or copies are to be made without the Authority of Carts Australia. Should the above conditions be breached a Fee of 5% of the contract value shall be made payable to Carts Australia.



Project: X-LINE COFFEE

Title: REAR COVER

Drawn By:	Date:	Scale:	Draw No.:	Issue:
HJ	27/9/13	LARGE	CART-KIOSK-CUT 1	0



MENU BOARD

LED DOWN LIGHTS

SUSPENDED SHELF

DISPLAY SHELF

STORAGE SHELF

DECAL TO FRONT PANEL

END COLOURED PANEL

